

# DS92LV1021A

## 16-40 MHz 10 Bit Bus LVDS Serializer

### General Description

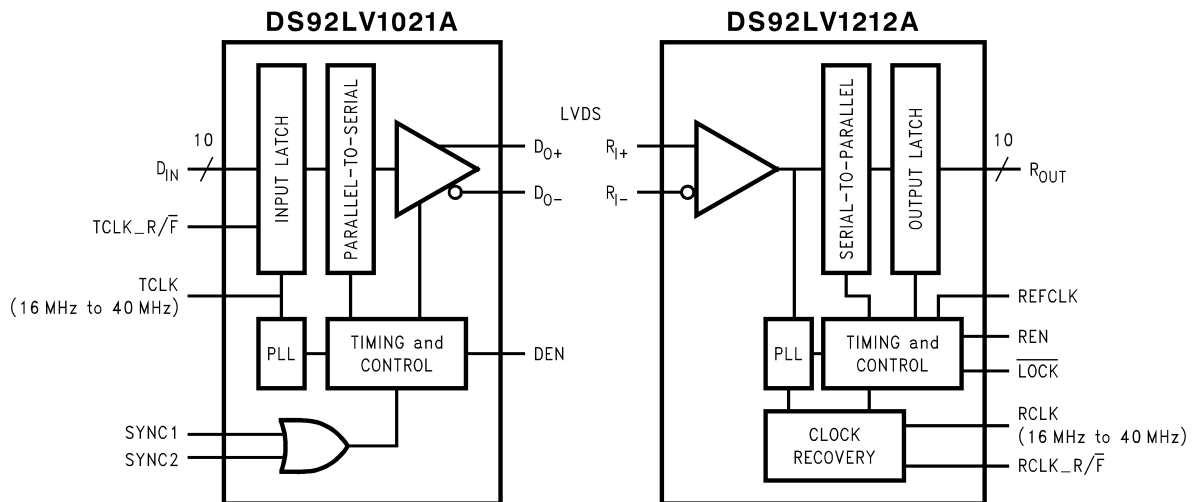
The DS92LV1021A transforms a 10-bit wide parallel LVCMOS/LVTTL data bus into a single high speed Bus LVDS serial data stream with embedded clock. The DS92LV1021A can transmit data over backplanes or cable. The single differential pair data path makes PCB design easier. In addition, the reduced cable, PCB trace count, and connector size tremendously reduce cost. Since one output transmits both clock and data bits serially, it eliminates clock-to-data and data-to-data skew. The powerdown pin saves power by reducing supply current when the device is not being used. Upon power up of the Serializer, you can choose to activate synchronization mode or use one of National Semiconductor's Deserializers in the synchronization-to-random-data feature. By using the synchronization mode, the Deserializer will establish lock to a signal within specified lock times. In addition, the embedded clock guarantees a

transition on the bus every 12-bit cycle. This eliminates transmission errors due to charged cable conditions. Furthermore, you may put the DS92LV1021A output pins into TRI-STATE® to achieve a high impedance state. The PLL can lock to frequencies between 16 MHz and 40 MHz.

### Features

- Guaranteed transition every data transfer cycle
- Single differential pair eliminates multi-channel skew
- Flow-through pinout for easy PCB layout
- 400 Mbps serial Bus LVDS bandwidth (at 40 MHz clock)
- 10-bit parallel interface for 1 byte data plus 2 control bits
- Programmable edge trigger on clock
- Bus LVDS serial output rated for 27Ω load
- Small 28-lead SSOP package-MSA

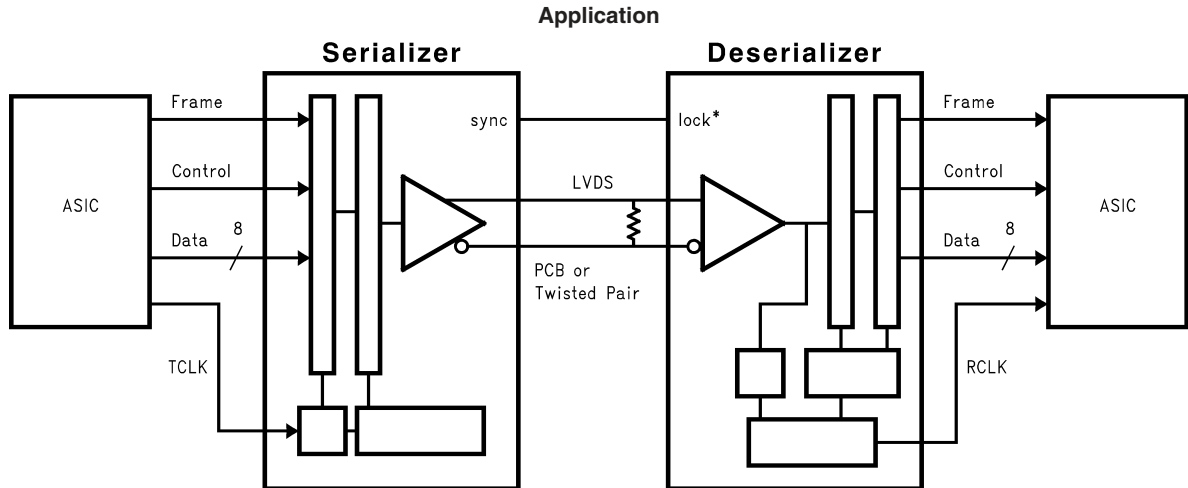
### Block Diagrams



20026901

TRI-STATE® is a registered trademark of National Semiconductor Corporation.

## Block Diagrams (Continued)



20026902

## Functional Description

The DS92LV1021A is an upgrade to the DS92LV1021. The DS92LV1021A no longer has a power-up sequence requirement. Like the DS92LV1021, the DS92LV1021A is a 10-bit Serializer designed to transmit data over a differential backplane at clock speeds from 16 to 40MHz. It may also be used to drive data over Unshielded Twisted Pair (UTP) cable.

The DS92LV1021A can be used with any of National's 10-bit BLVDS Deserializers (DS92LV1212A for example) and has three active states of operation: Initialization, Data Transfer, and Resynchronization; and two passive states: Powerdown and TRI-STATE.

The following sections describe each active and passive state.

## Initialization

Before data can be transferred, the Serializer must be initialized. Initialization refers to synchronization of the Serializer's PLL to a local clock.

When  $V_{CC}$  is applied to the Serializer, the outputs are held in TRI-STATE and internal circuitry is disabled by on-chip power-on circuitry. When  $V_{CC}$  reaches  $V_{CC\ OK}$  (2.5V) the Serializer's PLL begins locking to the local clock. The local clock is the transmit clock, TCLK, provided by the source ASIC or other device.

Once the PLL locks to the local clock, the Serializer is ready to send data or SYNC patterns, depending on the levels of the SYNC1 and SYNC2 inputs. The SYNC pattern is composed of six ones and six zeros switching at the input clock rate.

Control of the SYNC pins is left to the user. One recommendation is a direct feedback loop from the LOCK pin. Under all circumstances, the Serializer stops sending SYNC patterns after both SYNC inputs return low.

## Data Transfer

After initialization, the Serializer inputs DIN0–DIN9 may be used to input data to the Serializer. Data is clocked into the Serializer by the TCLK input. The edge of TCLK used to strobe the data is selectable via the TCLK\_R/F pin. TCLK\_R/F high selects the rising edge for clocking data and

low selects the falling edge. If either of the SYNC inputs is high for  $5 \times TCLK$  cycles, the data at DIN0–DIN9 is ignored regardless of the clock edge.

A start bit and a stop bit, appended internally, frame the data bits in the register. The start bit is always high and the stop bit is always low. The start and stop bits function as the embedded clock bits in the serial stream.

Serialized data and clock bits (10+2 bits) are transmitted from the serial data output (DO±) at 12 times the TCLK frequency. For example, if TCLK is 40 MHz, the serial rate is  $40 \times 12 = 480$  Mega bits per second. Since only 10 bits are from input data, the serial "payload" rate is ten times the TCLK frequency. For instance, if TCLK = 40 MHz, the payload data rate is  $40 \times 10 = 400$  Mbps. TCLK is provided by the data source and must be in the range of 16 MHz to 40 MHz nominal.

The outputs (DO±) can drive a backplane or a point-to-point connection. The outputs transmit data when the enable pin (DEN) is high, PWRDN is high, and SYNC1 and SYNC2 are low. The DEN pin may be used to TRI-STATE the outputs when driven low.

## Ideal Crossing Point

The ideal crossing point is the best case start and stop point for a normalized bit. Each ideal crossing point is found by dividing the clock period by twelve--two clock bits plus ten data bits. For example, a 40 MHz clock has a period of 25ns. The 25ns divided by 12 bits is approximately 2.08ns. This means that each bit width is approximately 2.08ns, and the ideal crossing points occur every 2.08ns. For a graphical representation, please see *Figure 9*.

## Resynchronization

The Deserializer LOCK pin driven low indicates that the Deserializer PLL is locked to the embedded clock edge. If the Deserializer loses lock, the LOCK output will go high and the outputs (including RCLK) will be TRI-STATE.

The LOCK pin must be monitored by the system to detect a loss of synchronization, and the system must decide if it is necessary to pulse the Serializer SYNC1 or SYNC2 pin to resynchronize. There are multiple approaches possible. One recommendation is to provide a feedback loop using the

## Resynchronization (Continued)

$\overline{\text{LOCK}}$  pin itself to control the sync request of the Serializer (SYNC1 or SYNC2). At the time of publication, other than the DS92LV1210, all other Deserializers from National Semiconductor have random lock capability. This feature does not require the system user to send SYNC patterns upon loss of lock. However, lock times can only be guaranteed with transmission of SYNC patterns. Dual SYNC pins are provided for multiple control in a multi-drop application.

## Powerdown

The Powerdown state is a low power sleep mode that the Serializer and Deserializer may use to reduce power when no data is being transferred. The device enters Powerdown when the PWRDN pin is driven low on the Serializer. In

Powerdown, the PLL stops and the outputs go into TRI-STATE, disabling load current and reducing supply current into the milliamp range. To exit Powerdown, PWRDN must be driven high.

Both the Serializer and Deserializer must reinitialize and resynchronize before data can be transferred. The Deserializer will initialize and assert LOCK high until it is locked to the Bus LVDS clock.

## TRI-STATE

For the Serializer, TRI-STATE is entered when the DEN pin is driven low. This will TRI-STATE both driver output pins (DO+ and DO-). When DEN is driven high, the serializer will return to the previous state as long as all other control pins remain static (SYNC1, SYNC2,  $\overline{\text{PWRDN}}$ , TCLK\_R/F).

## Ordering Information

Order Number NSID	Function	Package
DS92LV1021AMSA	Serializer	MSA28

**Absolute Maximum Ratings** (Note 1)

If Military/Aerospace specified devices are required, please contact the National Semiconductor Sales Office/Distributors for availability and specifications.

Supply Voltage ( $V_{CC}$ )	-0.3V to +4V
CMOS/TTL Input Voltage	-0.3V to ( $V_{CC} + 0.3V$ )
CMOS/TTL Output Voltage	-0.3V to ( $V_{CC} + 0.3V$ )
Bus LVDS Receiver Input Voltage	-0.3V to +3.9V
Bus LVDS Driver Output Voltage	-0.3V to +3.9V
Bus LVDS Output Short Circuit Duration	Continuous
Junction Temperature	+150°C
Storage Temperature	-65°C to +150°C
Lead Temperature (Soldering, 4 seconds)	+260°C

@ 25°C Package:

28L SSOP

1.27 W

Package Derating:

10.2 mW/°C above

28L SSOP

+25°C

ESD Rating (HBM)

&gt;2.0kV

(Note 1)

Note 1: With a limited Engineering sample size, ESD (HBM) testing passed 2.5kV

**Recommended Operating Conditions**

	Min	Nom	Max	Units
Supply Voltage ( $V_{CC}$ )	3.0	3.3	3.6	V
Operating Free Air Temperature ( $T_A$ )	-40	+25	+85	°C
Supply Noise Voltage ( $V_{CC}$ )				100 mV <sub>P-P</sub>

Maximum Package Power Dissipation Capacity

**Electrical Characteristics**

Over recommended operating supply and temperature ranges unless otherwise specified.

Symbol	Parameter	Conditions	Min	Typ	Max	Units	
<b>SERIALIZER CMOS/TTL DC SPECIFICATIONS (apply to DIN0-9, TCLK, PWRDN, TCLK_R/F, SYNC1, SYNC2, DEN)</b>							
$V_{IH}$	High Level Input Voltage		2.0		$V_{CC}$	V	
$V_{IL}$	Low Level Input Voltage		GND		0.8	V	
$V_{CL}$	Input Clamp Voltage	$I_{CL} = -18$ mA			-1.5	V	
$I_{IN}$	Input Current	$V_{IN} = 0V$ or 3.6V	-10	±2	+10	µA	
<b>SERIALIZER Bus LVDS DC SPECIFICATIONS (apply to pins DO+ and DO-)</b>							
$V_{OD}$	Output Differential Voltage (DO+)-(DO-)	RL = 27Ω	200	270		mV	
$\Delta V_{OD}$	Output Differential Voltage Unbalance				35	mV	
$V_{OS}$	Offset Voltage		0.78	1.1	1.3	V	
$\Delta V_{OS}$	Offset Voltage Unbalance				35	mV	
$I_{OS}$	Output Short Circuit Current	DO = 0V, DIN = High, PWRDN and DEN = 2.4V		-30	-40	mA	
$I_{OZ}$	TRI-STATE Output Current	PWRDN or DEN = 0.8V, DO = 0V or VCC	-10	±1	+10	µA	
$I_{OX}$	Power-Off Output Current	VCC = 0V, DO = 0V or VCC	-20	±1	+20	µA	
<b>SERIALIZER SUPPLY CURRENT (apply to pins DVCC and AVCC)</b>							
$I_{CCD}$	Worst Case Serializer Supply Current	RL = 27Ω, Figure 1	f = 40 MHz		40	55	mA
			f = 16 MHz		28	35	mA
$I_{CCXD}$	Serializer Supply Current Powerdown	PWRDN = 0.8V		88	300	µA	

## Serializer Timing Requirements for TCLK

Over recommended operating supply and temperature ranges unless otherwise specified.

Symbol	Parameter	Conditions	Min	Typ	Max	Units
$t_{TCP}$	Transmit Clock Period		25	T	62.5	ns
$t_{TCH}$	Transmit Clock High Time		0.4T	0.5T	0.6T	ns
$t_{TCL}$	Transmit Clock Low Time		0.4T	0.5T	0.6T	ns
$t_{CLKT}$	TCLK Input Transition Time			3	6	ns
$t_{JIT}$	TCLK Input Jitter				150	ps (RMS)

## Serializer Switching Characteristics

Over recommended operating supply and temperature ranges unless otherwise specified.

Symbol	Parameter	Conditions	Min	Typ	Max	Units	
$t_{LLHT}$	Bus LVDS Low-to-High Transition Time	$R_L = 27\Omega$ , Figure 2, $C_L = 10\text{pF}$ to GND		0.31	0.75	ns	
$t_{LHLT}$	Bus LVDS High-to-Low Transition Time			0.30	0.75	ns	
$t_{DIS}$	DIN (0-9) Setup to TCLK	Figure 4, $R_L = 27\Omega$ , $C_L = 10\text{pF}$ to GND	0			ns	
$t_{DIH}$	DIN (0-9) Hold from TCLK		4.0			ns	
$t_{HZD}$	DO $\pm$ HIGH to TRI-STATE Delay	Figure 5, (Note 4), $R_L = 27\Omega$ , $C_L = 10\text{pF}$ to GND		3.5	10	ns	
$t_{LZD}$	DO $\pm$ LOW to TRI-STATE Delay			2.9	10	ns	
$t_{ZHD}$	DO $\pm$ TRI-STATE to HIGH Delay			2.5	10	ns	
$t_{ZLD}$	DO $\pm$ TRI-STATE to LOW Delay			2.7	10	ns	
$t_{SPW}$	SYNC Pulse Width	Figure 7, $R_L = 27\Omega$	$5 \cdot t_{TCP}$			ns	
$t_{PLD}$	Serializer PLL Lock Time	Figure 6, $R_L = 27\Omega$	$510 \cdot t_{TCP}$		$2049 \cdot t_{TCP}$	ns	
$t_{SD}$	Serializer Delay	Figure 8, $R_L = 27\Omega$	$t_{TCP} + 1.0$	$t_{TCP} + 2.0$	$t_{TCP} + 4.0$	ns	
$t_{BIT}$	Bus LVDS Bit Width	$R_L = 27\Omega$ , $C_L = 10\text{pF}$ to GND		$t_{CLK} / 12$		ns	
$t_{DJIT}$	Deterministic Jitter	$R_L = 27\Omega$ , $C_L = 10\text{pF}$ to GND, (Note 5)	$f = 40\text{ MHz}$	-320	-110	150	ps
			$f = 16\text{ MHz}$	-800	-160	380	ps

**Note 1:** "Absolute Maximum Ratings" are those values beyond which the safety of the device cannot be guaranteed. They are not meant to imply that the devices should be operated at these limits. The table of "Electrical Characteristics" specifies conditions of device operation.

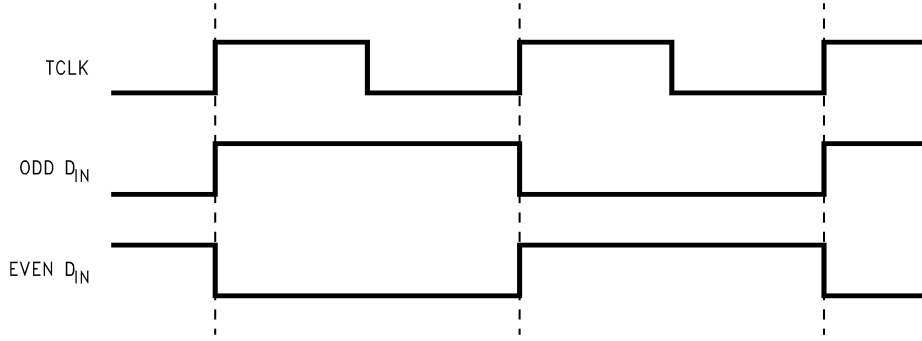
**Note 2:** Typical values are given for  $V_{CC} = 3.3\text{V}$  and  $T_A = +25^\circ\text{C}$ .

**Note 3:** Current into device pins is defined as positive. Current out of device pins is defined as negative. Voltages are referenced to ground except VOD,  $\Delta\text{VOD}$ , VTH and VTL which are differential voltages.

**Note 4:** Due to TRI-STATE of the Serializer, the Deserializer will lose PLL lock and have to resynchronize before data transfer.

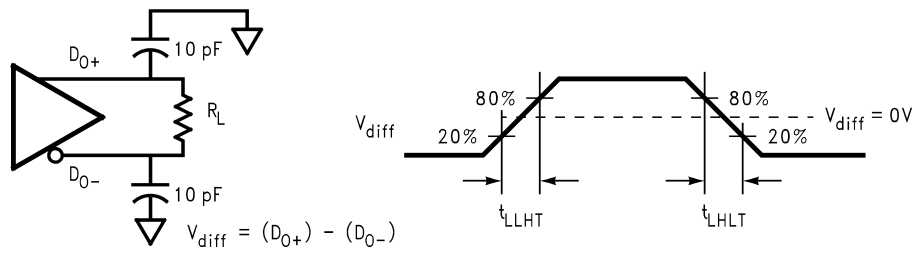
**Note 5:**  $t_{DJIT}$  specifications are Guaranteed By Design (GBD) using statistical analysis.

# AC Timing Diagrams and Test Circuits



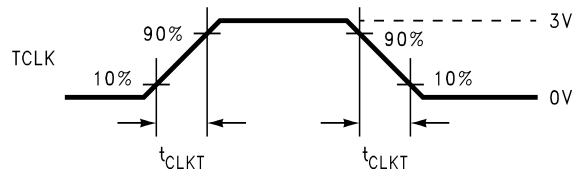
20026903

FIGURE 1. "Worst Case" Serializer ICC Test Pattern



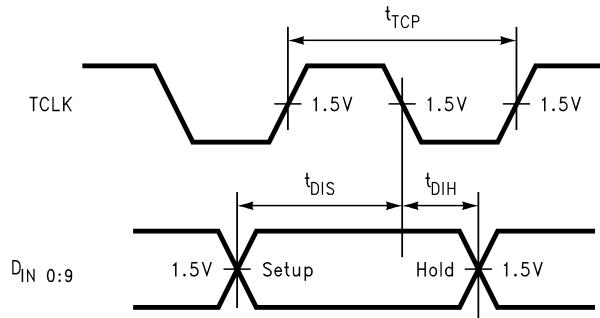
20026905

FIGURE 2. Serializer Bus LVDS Output Load and Transition Times



20026907

FIGURE 3. Serializer Input Clock Transition Time



20026908

Timing shown for TCLK\_R/F = LOW

FIGURE 4. Serializer Setup/Hold Times

AC Timing Diagrams and Test Circuits (Continued)

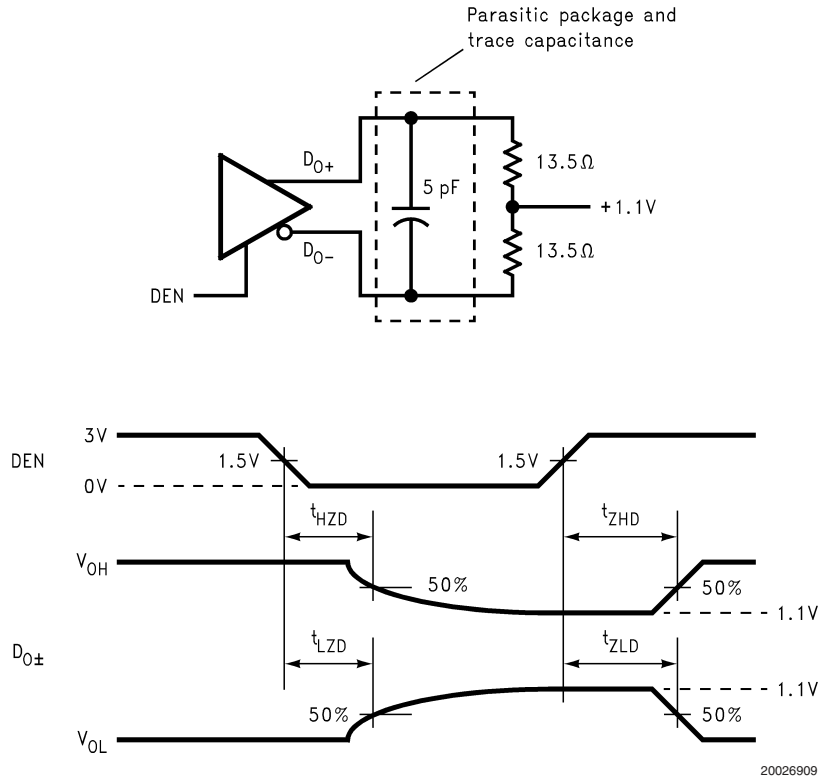


FIGURE 5. Serializer TRI-STATE Test Circuit and Timing

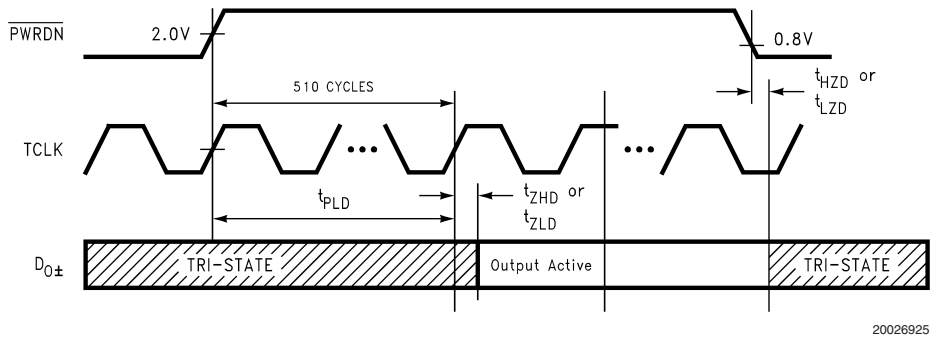


FIGURE 6. Serializer PLL Lock Time, and  $\overline{PWRDN}$  TRI-STATE Delays

AC Timing Diagrams and Test Circuits (Continued)

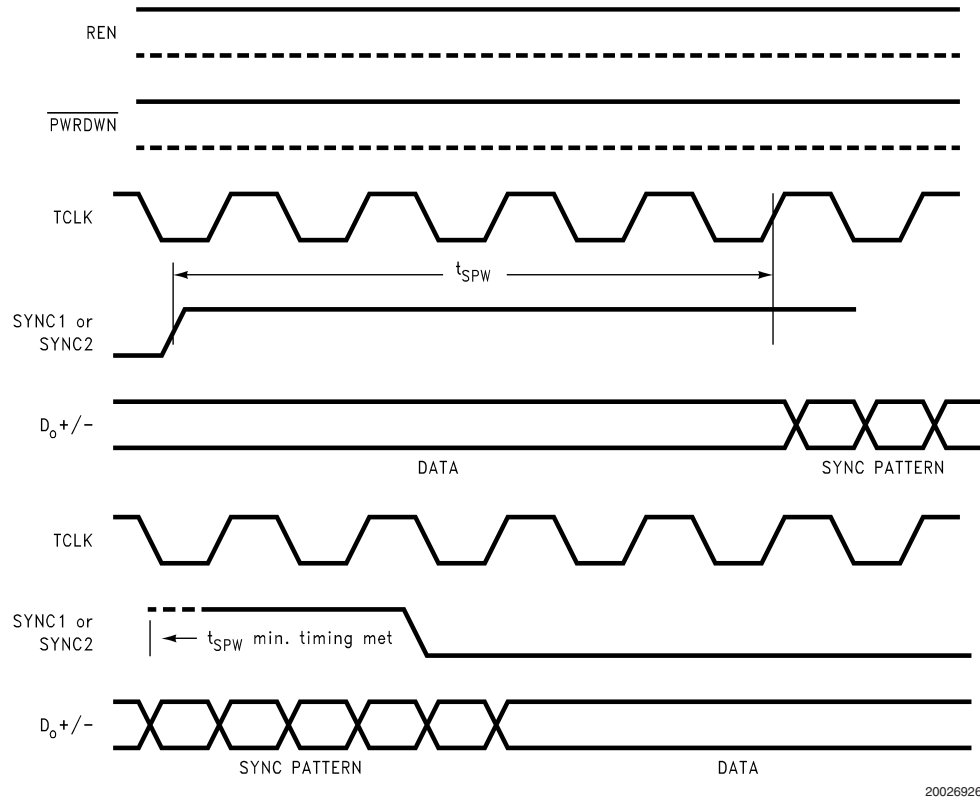


FIGURE 7. SYNC Timing Delays

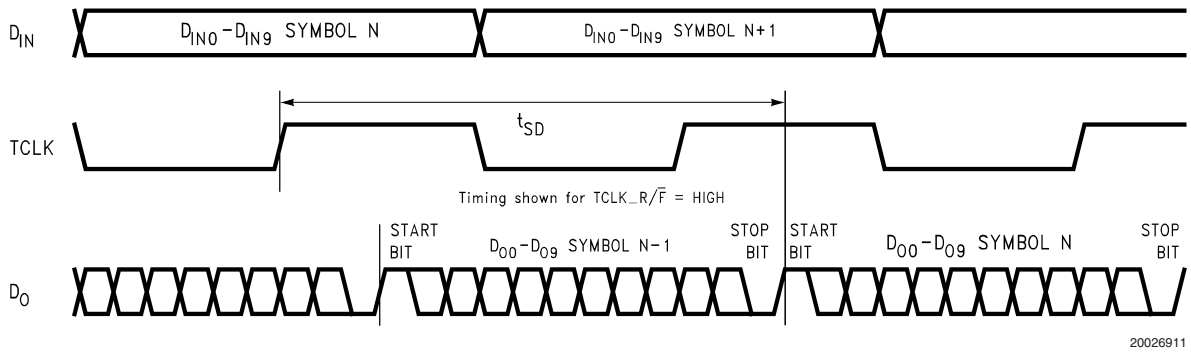
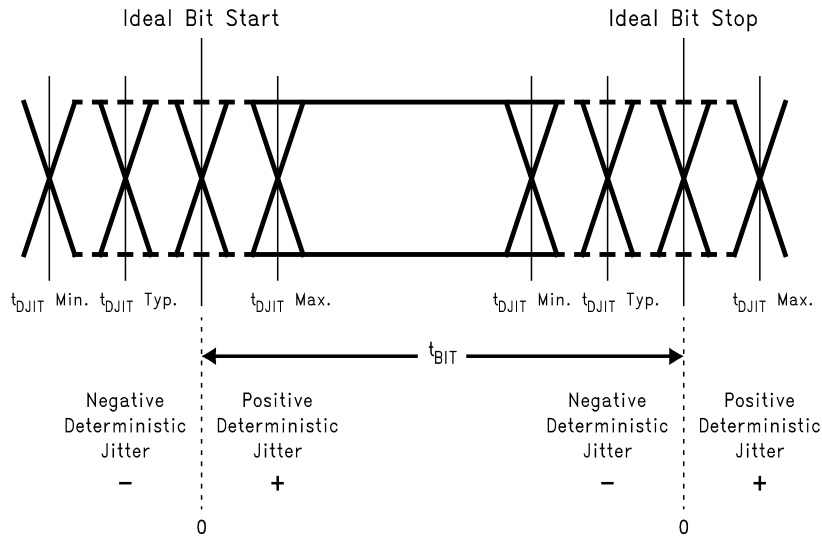


FIGURE 8. Serializer Delay



## AC Timing Diagrams and Test Circuits (Continued)



20026923

For an explanation of the Ideal Crossing Point, please see the Application Information Section.

**FIGURE 9. Serializer Deterministic Jitter and Ideal Crossing Point**

## Application Information

### DIFFERENCES BETWEEN THE DS92LV1021A AND THE DS92LV1021

The DS92LV1021A is an enhanced version of the DS92LV1021. The following enhancements are provided by the DS92LV1021A:

- TCLK may be applied before power
- TCLK may be halted
- Slower typical edge rates help to reduce reflections
- PWRDN pin includes an internal weak pull down device

Like the DS92LV1021, the DS92LV1021A is a 10-bit Serializer designed to transmit data over a differential backplane at clock speeds from 16 to 40MHz. It may also be used to drive data over Unshielded Twisted Pair (UTP) cable.

### USING THE DS92LV1021A

The Serializer is an easy to use transmitter that sends 10 bits of parallel TTL data over a serial Bus LVDS link up to 400 Mbps. Serialization of the input data is accomplished using an onboard PLL which embeds two clock bits with the data.

### POWER CONSIDERATIONS

An all CMOS design of the Serializer makes it an inherently low power device. Additionally, the constant current source nature of the Bus LVDS outputs minimize the slope of the speed vs.  $I_{CC}$  curve of CMOS designs.

### DIGITAL AND ANALOG POWER PINS

Digital and Analog power supply pins should be at the same voltage levels. The user should verify that voltage levels at the digital and analog supply pins are at the same voltage levels after board layout and after bypass capacitors are added.

### HOT INSERTION

All Bus LVDS devices are hot pluggable if you follow a few rules. When inserting, ensure the Ground pin(s) makes contact first, then the VCC pin(s), and then the I/O pins. When removing, the I/O pins should be unplugged first, then the VCC, then the Ground.

### TRANSMITTING DATA

Once the Serializer and Deserializer are powered up and running they must be phase locked to each other in order to transmit data. Phase locking can be accomplished by the Serializer sending SYNC patterns to the Deserializer, or by using the Deserializer's random lock capability. SYNC patterns are sent by the Serializer whenever SYNC1 or SYNC2 inputs are held high. The  $\overline{\text{LOCK}}$  output of the Deserializer is high whenever the Deserializer is not locked. Connecting the LOCK output of the Deserializer to one of the SYNC inputs of the Serializer will guarantee that enough SYNC patterns are sent to achieve Deserializer lock.

While the Deserializer  $\overline{\text{LOCK}}$  output is low, data at the Deserializer outputs (ROUT0-9) is valid except for the specific case of loss of lock during transmission.

### RECOVERING FROM LOCK LOSS

In the case where the Serializer loses lock during data transmission up to three cycles of data that was previously received can be invalid. This is due to the delay in the lock detection circuit. The lock detect circuit requires that invalid clock information be received 4 times in a row to indicate loss of lock. Since clock information has been lost it is possible that data was also lost during these cycles. When the Deserializer  $\overline{\text{LOCK}}$  pin goes low, data from at least the previous three cycles should be resent upon regaining lock. Lock can be regained at the Deserializer by causing the Serializer to resend SYNC patterns as described above.

## Application Information (Continued)

### PCB CONSIDERATIONS

The Bus LVDS devices Serializer and Deserializer should be placed as close to the edge connector as possible. In multiple Deserializer applications, the distance from the Deserializer to the slot connector appears as a stub to the Serializer driving the backplane traces. Longer stubs lower the impedance of the bus increasing the load on the Serializer and lowers threshold margin at the Deserializers. Deserializer devices should be placed no more than 1 inch from the slot connector.

### TRANSMISSION MEDIA

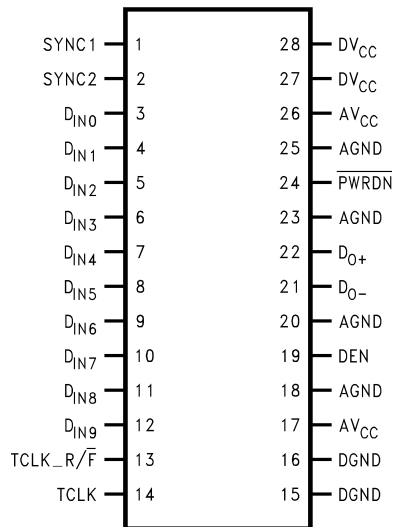
The Serializer and Deserializer are designed for data transmission over a multi-drop bus. Multi-drop buses use a single Serializer and multiple Deserializer devices. Since the Ser-

ializer can be driving from any point on the bus, the bus must be terminated at both ends. For example, a 100 Ohm differential bus must be terminated at each end with 100 Ohms lowering the DC impedance that the Serializer must drive to 50 Ohms. This load is further lowered by the addition of multiple Deserializers. Adding up to 20 Deserializers to the bus (depending upon spacing) will lower the total load to about 27 Ohms (54 Ohm bus). The Serializer is designed for DC loads between 27 and 100 Ohms.

The Serializer and Deserializer can also be used in point-to-point configuration of a backplane, PCB trace or through a twisted pair cable. In point-to-point configurations the transmission media need only be terminated at the receiver end. In the point-to-point configuration the potential of offsetting the ground levels of the Serializer vs. the Deserializer must be considered. Bus LVDS provides a plus / minus one volt common mode range at the receiver inputs.

## Pin Diagram

DS92LV1021AMSA - Serializer



20026918

## Serializer Pin Description

Pin Name	I/O	No.	Description
DIN	I	3–12	Data Input. TTL levels inputs. Data on these pins are loaded into a 10-bit input register.
TCLK_R $\bar{F}$	I	13	Transmit Clock Rising/Falling strobe select. TTL level input. Selects TCLK active edge for strobing of DIN data. High selects rising edge. Low selects falling edge.
DO+	O	22	+ Serial Data Output. Non-inverting Bus LVDS differential output.
DO–	O	21	– Serial Data Output. Inverting Bus LVDS differential output.
DEN	I	19	Serial Data Output Enable. TTL level input. A low, puts the Bus LVDS outputs in TRI-STATE.
$\overline{\text{PWRDN}}$	I	24	Powerdown. TTL level input. $\overline{\text{PWRDN}}$ driven low shuts down the PLL and TRI-STATEs the outputs putting the device into a low power sleep mode. This pin has an internal weak pull down.
TCLK	I	14	Transmit Clock. TTL level input. Input for 16 MHz–40 MHz (nominal) system clock.
SYNC	I	1, 2	Assertion of SYNC (high) for at least 1024 synchronization symbols to be transmitted on the Bus LVDS serial output. Synchronization symbols continue to be sent if SYNC continues asserted. TTL level input. The two SYNC pins are ORed.
DVCC	I	27, 28	Digital Circuit power supply. DVCC voltage level should be identical to the AVCC voltage level.
DGND	I	15, 16	Digital Circuit ground. Ground potential should be the same as AGND.
AVCC	I	17, 26	Analog power supply (PLL and Analog Circuits). AVCC voltage level should be identical to the DVCC voltage level.
AGND	I	18, 25, 20, 23	Analog ground (PLL and Analog Circuits). Ground potential should be the same as DGND.

## Truth Table

DIN (0–9)	TCLK_R $\bar{F}$	TCLK	SYNC1/SYNC2	DEN	$\overline{\text{PWRDN}}$	DO+	DO–
X	X	X	X	X	0	Z	Z
X	X	X	X	0	1	Z	Z
X	X	SYSTEM CLK	1~	1	1	SYNC PTRN	SYNC PTRN*
DATA	1	$\overline{\text{L}}$	0	1	1	DATA (0–9)	DATA (0–9)*
DATA	0	$\underline{\text{L}}$	0	1	1	DATA (0–9)	DATA (0–9)*

RI	RI–	RCLK_R $\bar{F}$	REFCLK	REN	$\overline{\text{PWRDN}}$	RCLK	$\overline{\text{LOCK}}$
X	X	X	X	X	0	Z	Z
X	X	X	X	0**	1	Z	Z
SYNC PTRN	SYNC PTRN*	X	SYSTEM CLK	1	1	CLK	1†
DATA (0–9)	DATA (0–9)*	1	SYSTEM CLK	1	1	$\overline{\text{L}}$	0
DATA (0–9)	DATA (0–9)*	0	SYSTEM CLK	1	1	$\underline{\text{L}}$	0

~ Pulse 5-bits

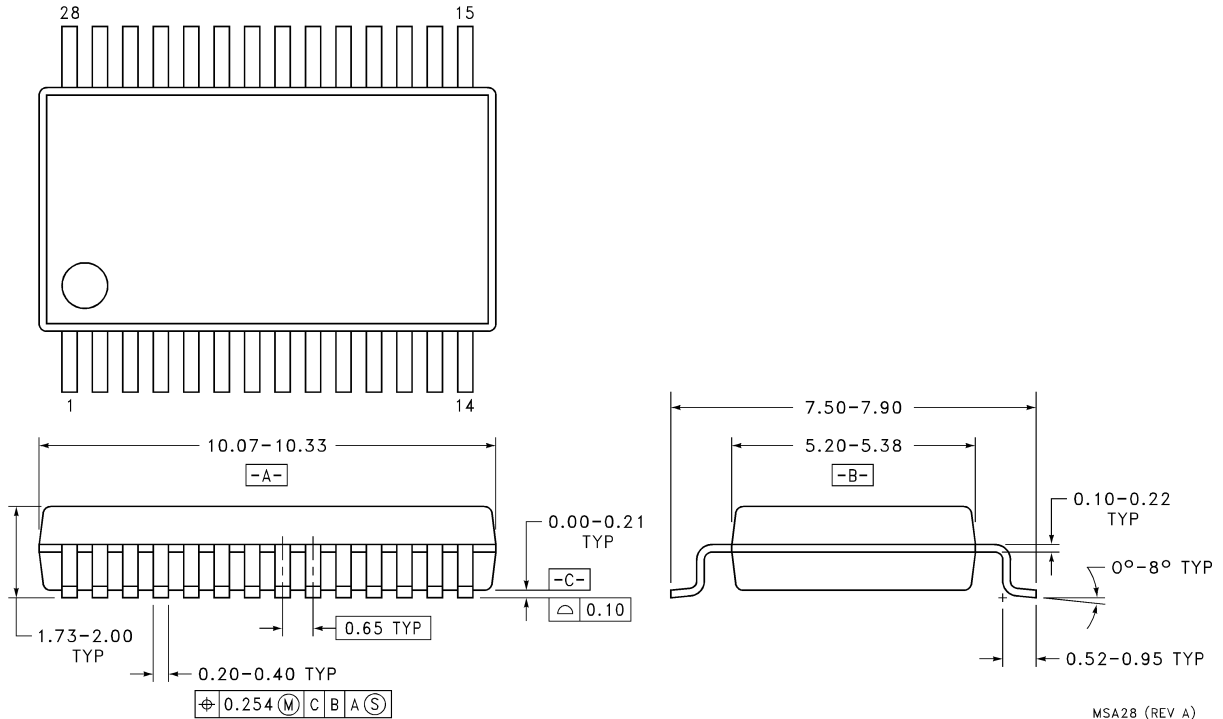
\* Inverted

† Must be 1 before SYNC PTRN starts

\*\* Device must be locked first

## Physical Dimensions inches (millimeters)

unless otherwise noted



**Order Number DS92LV1021AMSA**  
**NS Package Number MSA28**

### LIFE SUPPORT POLICY

NATIONAL'S PRODUCTS ARE NOT AUTHORIZED FOR USE AS CRITICAL COMPONENTS IN LIFE SUPPORT DEVICES OR SYSTEMS WITHOUT THE EXPRESS WRITTEN APPROVAL OF THE PRESIDENT AND GENERAL COUNSEL OF NATIONAL SEMICONDUCTOR CORPORATION. As used herein:

1. Life support devices or systems are devices or systems which, (a) are intended for surgical implant into the body, or (b) support or sustain life, and whose failure to perform when properly used in accordance with instructions for use provided in the labeling, can be reasonably expected to result in a significant injury to the user.
2. A critical component is any component of a life support device or system whose failure to perform can be reasonably expected to cause the failure of the life support device or system, or to affect its safety or effectiveness.



**National Semiconductor**  
**Americas Customer**  
**Support Center**  
 Email: new.feedback@nsc.com  
 Tel: 1-800-272-9959

www.national.com

**National Semiconductor**  
**Europe Customer Support Center**  
 Fax: +49 (0) 180-530 85 86  
 Email: europe.support@nsc.com  
 Deutsch Tel: +49 (0) 69 9508 6208  
 English Tel: +44 (0) 870 24 0 2171  
 Français Tel: +33 (0) 1 41 91 8790

**National Semiconductor**  
**Asia Pacific Customer**  
**Support Center**  
 Fax: 65-6250 4466  
 Email: ap.support@nsc.com  
 Tel: 65-6254 4466

**National Semiconductor**  
**Japan Customer Support Center**  
 Fax: 81-3-5639-7507  
 Email: nsj.crc@jksmt.nsc.com  
 Tel: 81-3-5639-7560